



# Компараторы массы серии APP 4У.КВ RADWAG

Модели APP 25.4У.КВ, APP 50.4У.КВ

## Технические характеристики

По вопросам продаж и поддержки обращайтесь:

Архангельск (8182)63-90-72	Калининград (4012)72-03-81	Нижний Новгород (831)429-08-12	Смоленск (4812)29-41-54
Астана +7(7172)727-132	Калуга (4842)92-23-67	Новокузнецк (3843)20-46-81	Сочи (862)225-72-31
Белгород (4722)40-23-64	Кемерово (3842)65-04-62	Новосибирск (383)227-86-73	Ставрополь (8652)20-65-13
Брянск (4832)59-03-52	Киров (8332)68-02-04	Орел (4862)44-53-42	Тверь (4822)63-31-35
Владивосток (423)249-28-31	Краснодар (861)203-40-90	Оренбург (3532)37-68-04	Томск (3822)98-41-53
Волгоград (844)278-03-48	Красноярск (391)204-63-61	Пенза (8412)22-31-16	Тула (4872)74-02-29
Вологда (8172)26-41-59	Курск (4712)77-13-04	Пермь (342)205-81-47	Тюмень (3452)66-21-18
Воронеж (473)204-51-73	Липецк (4742)52-20-81	Ростов-на-Дону (863)308-18-15	Ульяновск (8422)24-23-59
Екатеринбург (343)384-55-89	Магнитогорск (3519)55-03-13	Рязань (4912)46-61-64	Уфа (347)229-48-12
Иваново (4932)77-34-06	Москва (495)268-04-70	Самара (846)206-03-16	Челябинск (351)202-03-61
Ижевск (3412)26-03-58	Мурманск (8152)59-64-93	Санкт-Петербург (812)309-46-40	Череповец (8202)49-02-64
Казань (843)206-01-48	Набережные Челны (8552)20-53-41	Саратов (845)249-38-78	Ярославль (4852)69-52-93



The newest line of Radwag Mass Comparators enables adjusting mass standards and weights according to the OIML recommendations (R-111) from 2 kg to 50kg for F2 class and lower..

The comparators are used both for ensuring traceability of mass measurements, and verification of weights in accordance with legal metrology. RADWAG Mass Comparators have gained recognition among Accredited Calibration Laboratories, in many countries.

Mass comparators series APP 4Y.KB comprise two components. One of them holds the electronic module, and the other precise mechanical measuring system. High measuring accuracy is guaranteed by semi-automatic adjustment system with external mass standard. The weighing pan is made of aluminum and features holders for centering the tested mass standard. The comparator features user friendly menu.

## Technical data:

	APP 25.4Y.KB	APP 50.4Y.KB
Max capacity	25,5 kg	51 kg
Readability	10 mg	100 mg
Repeatability*	15 mg	100 mg
Electric compensation range	0 ÷ 25,5 kg	0 ÷ 51 kg
Supplementary weights (on request)		none
Stabilization time	5 s	3 s
Adjustment		external
Power supply		13,5 ÷ 16 V DC / 2,1 A
Pan size		302 × 252 mm
Weighing unit dimensions		370 × 280 × 197 mm
Control unit dimensions		206 × 140 × 70 mm
Net weight / Gross weight		13 / 15 kg
Packaging size		560×550×315 mm
<b>Ambient conditions:</b>		
Working temperatue		+10° ÷ +40°C
Change rate of working temperature		± 2°C / 12h
Atmospheric humidity		30% ÷ 70%
Change rate of atmospheric humidity		± 10% / 4h

\* Repeatability expressed as standard deviation from 6 measuring cycles ABBA (according to OIML R111) in stable laboratory operating conditions.

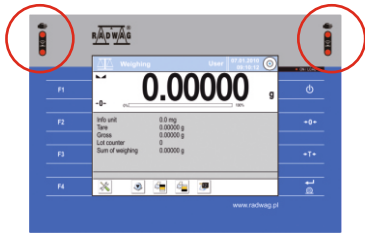
	APP 25.4Y.KB	APP 50.4Y.KB
1 mg		
2 mg		
5 mg		
10 mg		
20 mg		
50 mg		
100 mg		
200 mg		
500 mg		
1 g		
2 g		
5 g		
10 g		
20 g		
50 g		
100 g		
200 g		
500 g		
1 kg		
2 kg		
5 kg		
10 kg		
20 kg		
50 kg		
100 kg		
200 kg		
500 kg		
1000 kg		

## Additional equipment:

External adjustment weight

PC software for network management of calibration process

Temperature and humidity sensors installed inside the weighing chamber



### Infrared proximity sensors

Optional functions:

- PRINT function
- TARE function
- sensor's sensitivity adjustment



### Electronic level indicator

Functions:

- ALARM function
- graphic level indicator
- programmable acceptable tilts



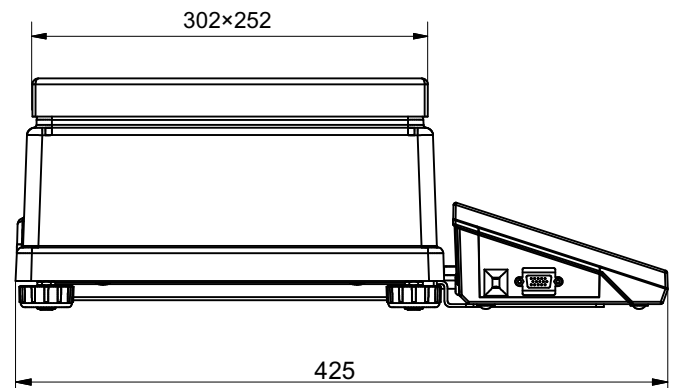
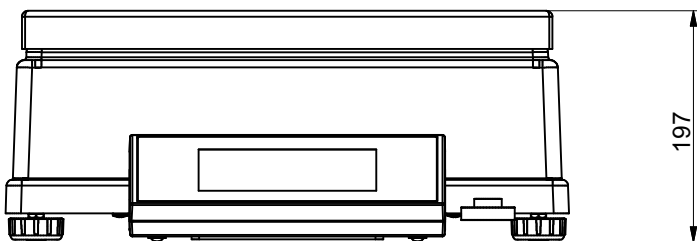
### Data exchange through USB storage device

- software update
- exporting weighing data
- exporting/importing databases and settings
- exporting/importing balance settings
- exchanging data between balances



### Communication interface

- Ethernet 10/100Mbps
- RS 232
- 2×USB 2.0
- additional display





По вопросам продаж и поддержки обращайтесь:

Архангельск (8182)63-90-72	Калининград (4012)72-03-81	Нижний Новгород (831)429-08-12	Смоленск (4812)29-41-54
Астана +7(7172)727-132	Калуга (4842)92-23-67	Новокузнецк (3843)20-46-81	Сочи (862)225-72-31
Белгород (4722)40-23-64	Кемерово (3842)65-04-62	Новосибирск (383)227-86-73	Ставрополь (8652)20-65-13
Брянск (4832)59-03-52	Киров (8332)68-02-04	Орел (4862)44-53-42	Тверь (4822)63-31-35
Владивосток (423)249-28-31	Краснодар (861)203-40-90	Оренбург (3532)37-68-04	Томск (3822)98-41-53
Волгоград (844)278-03-48	Красноярск (391)204-63-61	Пенза (8412)22-31-16	Тула (4872)74-02-29
Вологда (8172)26-41-59	Курск (4712)77-13-04	Пермь (342)205-81-47	Тюмень (3452)66-21-18
Воронеж (473)204-51-73	Липецк (4742)52-20-81	Ростов-на-Дону (863)308-18-15	Ульяновск (8422)24-23-59
Екатеринбург (343)384-55-89	Магнитогорск (3519)55-03-13	Рязань (4912)46-61-64	Уфа (347)229-48-12
Иваново (4932)77-34-06	Москва (495)268-04-70	Самара (846)206-03-16	Челябинск (351)202-03-61
Ижевск (3412)26-03-58	Мурманск (8152)59-64-93	Санкт-Петербург (812)309-46-40	Череповец (8202)49-02-64
Казань (843)206-01-48	Набережные Челны (8552)20-53-41	Саратов (845)249-38-78	Ярославль (4852)69-52-93